

Operating Manual

Please Read Before Operating Unit

DE100



DE500



DE400



DE300



DE100/DE300/DE400/DE500 Dereelers

Please call for Service or Spare Parts

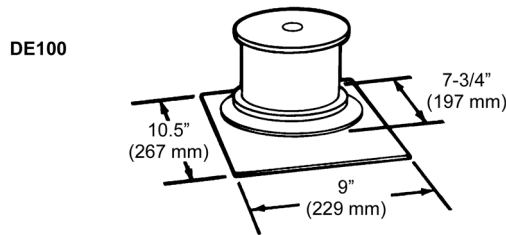
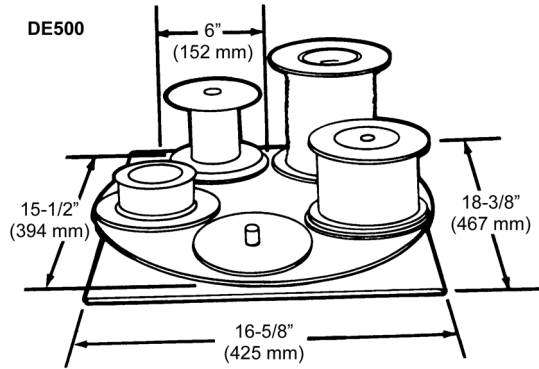


Always Moving Forward®

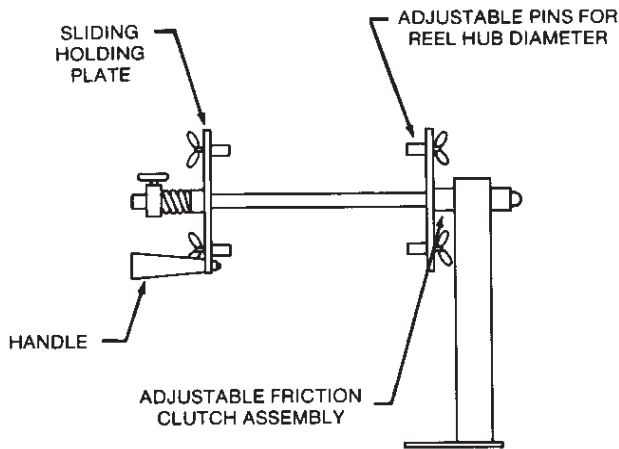


DE100/DE300/DE400/DE500 Dereelers

DIMENSIONS DE100 AND DE500



FEATURES OF DE400



DE100, DE500 DEREELEERS

The DE100 single station ball bearing turntable dereeler will accommodate a reel or spool of wire and other material up to 100 lbs. (45 Kg) in weight. The DE500 five station dereeler will take up to five 50 lb. (23 Kg) reels. These dereelers are free-running and perfect for all de-reeling applications.

SPECIFICATIONS

DE100

Turntable diameter8" (203mmø)
 Overall Size9" x 10-1/2" (229mm x 267mm)
 Maximum reel weight..... 100 lbs (45 Kg)

DE500

Turntable diameter 18-1/4" (464mmø)
 Station Diameter..... 5 stations of 6-1/2" OD
 (165mmø) turntables
 Overall Size 16-5/8" x 18-3/8" (422mm x 467mm)
 Maximum Reel Weight Five-50 lbs (23 Kg) reels

ORDERING INFORMATION

AR0010 (DE100)Single station dereeler
 AR0015 (DE500) Five station dereeler

DE400 Bench Mounted Dereeler

The DE400 is a versatile dereeler or reeler, using the attached handle for different reel sizes. Unit adjusts for reel hub diameter for various sizes up to 50 lbs. to provide positive mounting for the reel. Unit mounts to bench and incorporates an adjustable friction clutch to prevent overruns and tangles in dereeling applications.

SPECIFICATIONS

Max. reel diameter.....19" (483mmø)
 Max. reel width6" (152mm)
 Min. reel hub diameter..... 11/16" (17.5mmø)
 Max. reel hub diameter.....6" (152mmø)
 Max. reel weight 50 lbs. (23 Kg)
 Overall Size 13" x 10" x 6"
 (330mm x 254mm x 152mm)
 Weight 10 lbs. (4.5 Kg)

ORDERING INFORMATION

AR3801 (DE400)Reeler and dereeler
 IR0491 Optional bench stand
 IR0492 Optional floor stand
 TR4400..... Kit to extend capacity of DE400
 from 6" (152mm) wide to 10" (254mm) wide reels

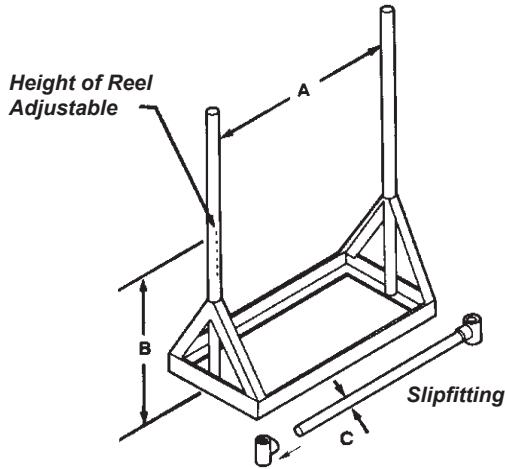


Always Moving Forward®



DE300 REEL LIFTER AND DEREELEER

SPECIFICATIONS OF DE300



The DE300 use the help of leverage to enable one person to easily set up cable reels weighing up to 1000 lbs. (455 Kg). Two people can set up reels over one ton (1018 Kg) in weight. The dereelers are stable and will not tip as cable is dereeled. The dangers of unsteady jacks are eliminated. Cable reels revolve on an axle, and the height of the cable reel is easily adjusted with two quick release detent pins. The dereelers are suitable for cable storage, dereeling and many other applications where large cable reels are used. All unit are modular in construction and quickly dismantle for economical storage and shipping. Units are shipped dismantled to save freight costs.

ORDERING INFORMATION

AR5300 (DE300) Cable reel lifter and dereeler

Size:

DE300.....48-1/4" x 38-1/2" x 22-1/2"
(1225mm x 978mm x 591mm)

Specifications	DE300
A = reel width, max.	31" (787mm)
B x 2 = reel dia., max.	48" (1219mm)
C = reel arbor dia., min.	1-11/16" (43mm)
Overall size	48" x 32" x 22" (1219mm x 812mm x 559mm)
Net weight	83 lbs. (38 kg)

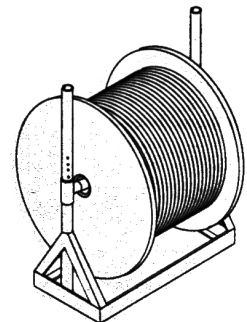
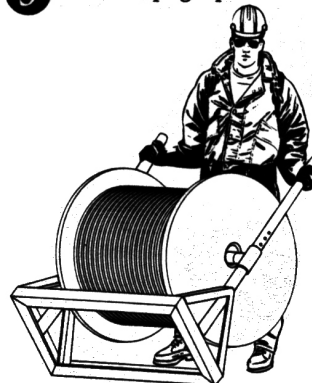
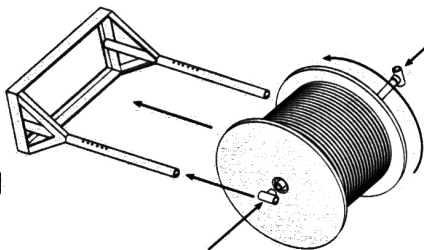
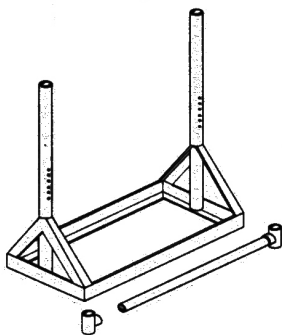
OPERATION

1 Remove bar, slide off slip-fitting and place through reel arbor hole.

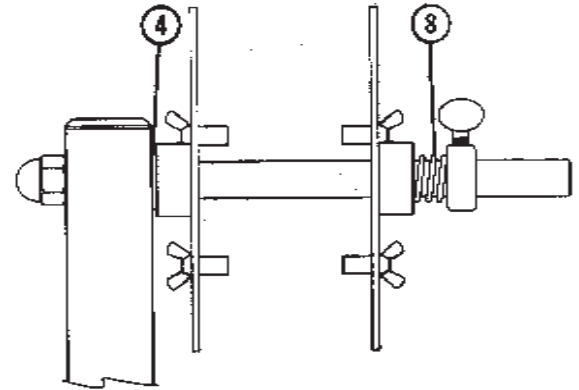
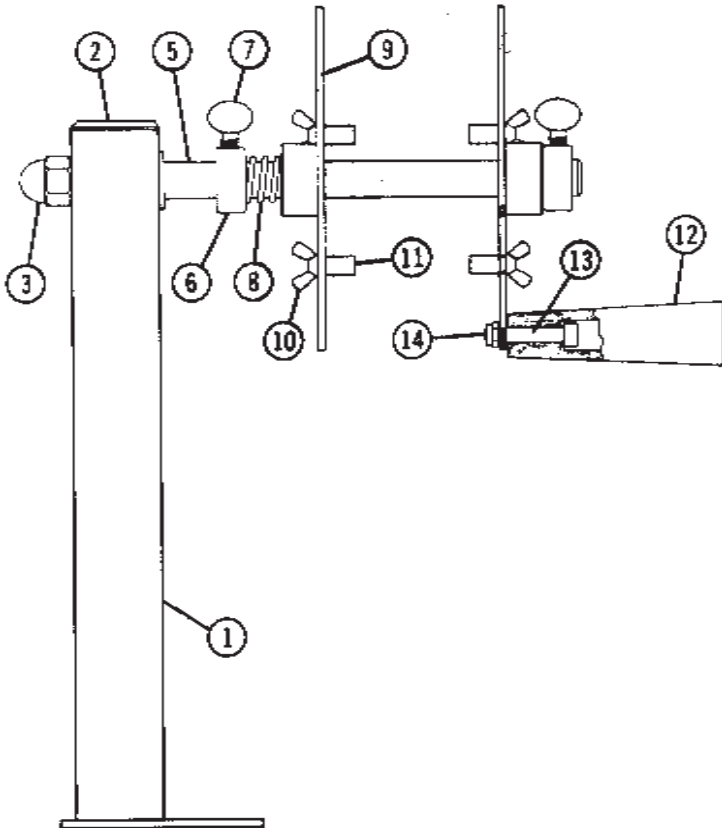
2 Replace slip fitting, slide onto handles of unit. Two quick release detent pins control height of mounted reel.

3 Lift into upright position.

4 Cable ready for dereeling, to remove reel, reverse procedure.



DE400 Reeler Parts List and Operating Instructions



Item	Order Number	Description
1.	IR3100	Weldment, Base-Painted
2.	PG0060	Cap, Tube
3.	PG0079	Nut, Nex-Acorn
4.	PG0062	Washer, Fib-.625 ID x 1-3/4" OD x 1/16
5.	TR7530	Shaft, Reel
6.	PR3257	Collar, Shaft - 5/8"
7.	TG3546	Stud, Wing - Pltd 5/16-18 x 1/2
8.	PR3282	Spring, Compression
9.	IR3090	Assembly, Disc
10.	TG3548	Nut, Wing - Pltd
11.	TR8317	Peg, Reel
12.	PG0005	Handle
13.	PG0061	Screw, Shoulder
14.	TG3547	Nut, Hex-Locking

SET-UP:

Check all items on the drawing to be sure they are present in the quantities shown. The unit is shipped with all parts for dereeling or reeling and is shipped disassembled to save freight costs. The TR4400 extra long shaft is an optional accessory to accommodate larger reels. Assemble the unit as required for either reeling or dereeling operations as show above.

OPERATION:

The three locating pins on each of the hub plates are adjusted to either hold the reel or spool on the inside arbor hole or the outside diameter of the reel or spool depending on the size of reel or spool. One locating pin for reeling applications should be located to hold reel or spool securely and prevent reel or spool from turning on the hub plates.

The friction clutch incorporated in the dereeler should be adjusted by increasing or decreasing the pressure of spring number PR3282 by altering the relative position of collar number PR3257 to maintain adequate drag in dereeling operations to prevent over running and material jams. Do not create unnecessary drag as this may affect machinery or processes that have to dereel the material.

TROUBLESHOOTING:

If reels over run or will not dereel correctly, check the friction clutch adjustment as described in "operation."

The Eraser Company, Inc.
PO Box 4961/ Oliva Drive
Syracuse, NY 13221, USA

ERASER
Always Moving Forward®

Phone: (315) 454-3237
Fax: (315) 454-3090
Website: www.eraser.com
E-mail: info@eraser.com

IR8420
REV 02/15